



# LEFROY BROOKS

1 8 2 8 T R O U T M A N S T R E E T  
R I D G E W O O D N E W Y O R K N Y 1 1 3 8 5 U S A  
T: +1(718) 302 5292 F: +1(718) 302 4177

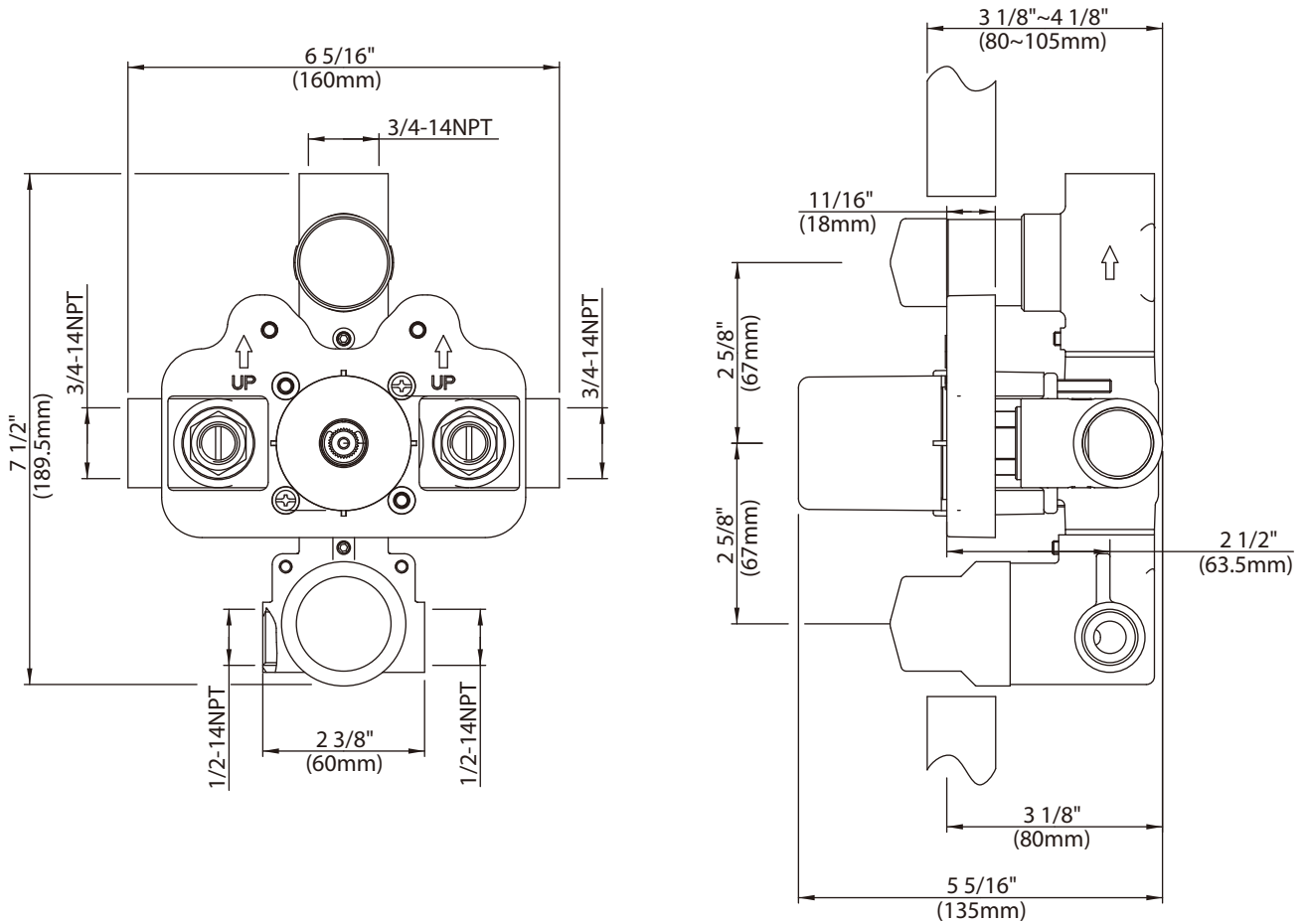
## M1-4203

THREE HANDLE THERMOSTATIC ROUGH WITH FLOW CONTROL &  
2-WAY DIVERTER, TO SUIT M1-4404 & X1-2013

### DIMENSIONAL DATA SHEET

DATE: 19 July 2013

No: A661034



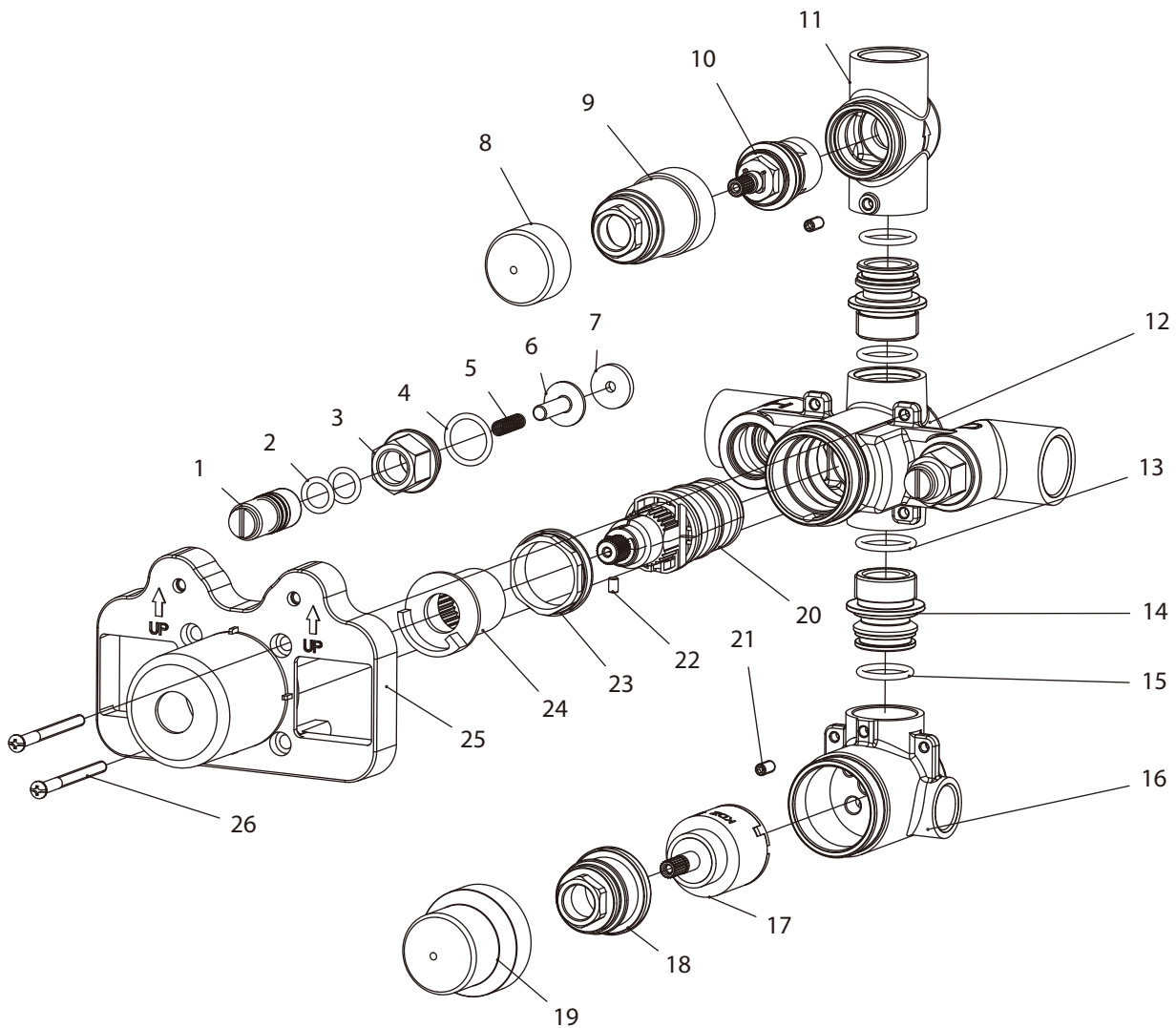
COPYRIGHT © LBIP LTD 2012. ALL RIGHTS RESERVED.

DIMENSIONS IN INCHES & MILLIMETRES

WHILST EVERY EFFORT IS MADE TO ENSURE THE ACCURACY OF THESE DATA SHEETS THEY ARE SUBJECT TO CHANGE WITHOUT NOTICE AS PART OF THE COMPANY'S PRODUCT DEVELOPMENT PROCESS

# M1-4203

THREE HANDLE THERMOSTATIC ROUGH WITH FLOW CONTROL & 2-WAY DIVERTER, TO SUIT M1-4404 & X1-2013

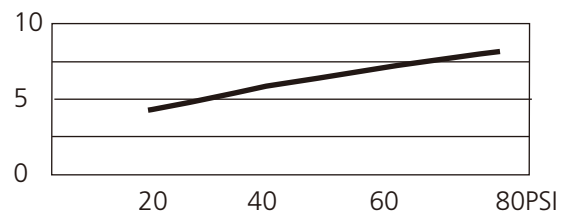


1	Spindle (017119)	10	Cartridge assembly (507455)	19	Rubber protective cap (038008)
2	O-ring (048038)	11	Body (076707)	20	Thermostatic cartridge (507132)
3	Nut (009111)	12	Body (076706)	21	Set screw (053009)
4	O-ring (063060)	13	O-ring (048017)	22	Pin (003146)
5	Spring (005060)	14	Adaptor (067945)	23	Adjusting ring (104061)
6	Cartridge (024092)	15	O-ring (004096N)	24	Stopper (049108)
7	Oil-seal (010113)	16	Body (076697)	25	Plaster guard (127215)
8	Rubber protective cap (045432)	17	Diverter cartridge (507775N)	26	Screw (008241)
9	Sleeve (067946)	18	Adjusting ring (104291)		

## Standards

IAPMO/cUPC Listed  
Meets A112.18.1  
Meets ASSE 1016

## Flow Rate



Please note :

Final achievable flow rate is dependent on the outlets fitted, see relevant outlets (spouts, roses, sprays) for fully assembled product flow rate.